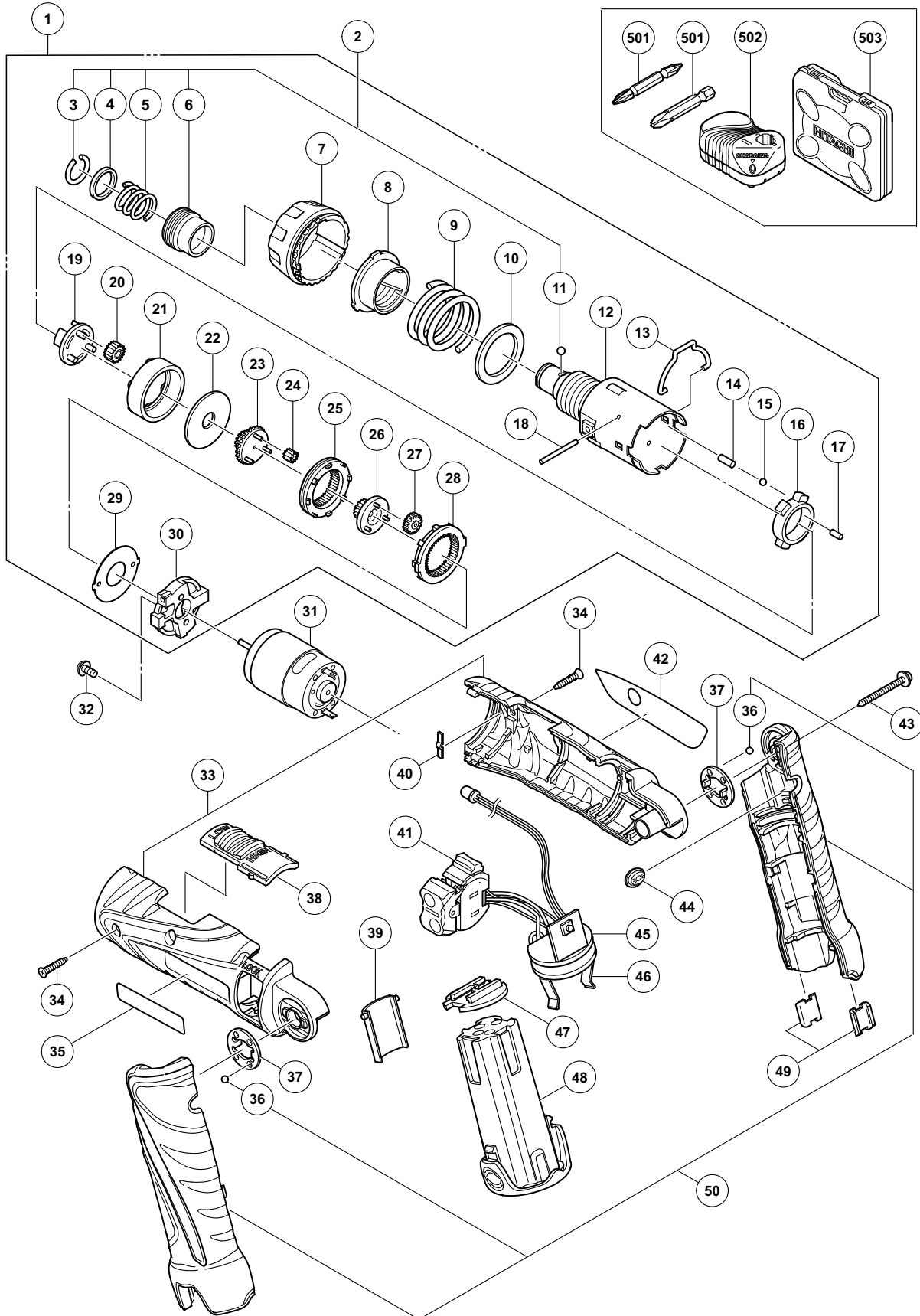


ELECTRIC TOOL PARTS LIST

CORDLESS DRIVER DRILL
Model DB 3DL2

2010·6·14
(E1)



PARTS

DB 3DL2

ITEM NO.	CODE NO.	DESCRIPTION	NO. USED	REMARKS
*	1	332-759	GEAR BOX ASS'Y	1 INCLUD. 3-30
*	1	332-758	GEAR BOX ASS'Y	1 INCLUD. 3-30 FOR CHN, SIN, VIE
	2	320-085	GUIDE SLEEVE SET	1 INCLUD. 3-6, 11
	3	315-984	RETAINING RING	
	4	315-983	WASHER (D)	
	5	320-409	GUIDE SPRING	
	6	319-921	GUIDE SLEEVE (A)	
	7	332-762	CLUTCH DIAL	
	8	326-341	NUT	
	9	326-340	SPRING	
	10	326-339	WASHER (D)	
	11	319-535	STEEL BALL D3.5 (10 PCS.)	
*	12	332-761	GEAR CASE	
*	12	332-760	GEAR CASE	1 FOR CHN, SIN, VIE
	13	326-345	SHIFT ARM	
	14	326-338	PIN SET (3 PCS.)	3
	15	317-788	STEEL BALL D3	3
	16	326-323	LOCK RING	1
	17	326-324	NEEDLE ROLLER SET (6PCS.)	6
	18	326-329	NEEDLE	2
	19	326-325	CARRIER	1
	20	326-327	PLANET GEAR (C) SET (3 PCS.)	3
	21	326-326	RING GEAR	1
	22	326-328	WASHER (B)	2
	23	332-768	PINION (C)	1
	24	332-766	PLANET GEAR (B) SET (3 PCS.)	3
	25	332-767	SLIDE RING GEAR	1
	26	332-765	PINION (B)	1
	27	326-335	PLANET GEAR (A) SET (3 PCS.)	3
	28	326-334	FIRST RING GEAR	1
	29	332-764	WASHER (A)	1
	30	332-763	MOTOR SPACER	1
	31	332-755	MOTOR DC 3.6V	1
	32	330-755	MACHINE SCREW (W/SP. WASHER) M2.6 X 6	2
	33	332-754	HOUSING (A). (B) SET	1
	34	984-319	PAN HD. TAPPING SCREW D3 X 8	4
	35		HITACHI LABEL	1
	36	317-788	STEEL BALL D3	4
	37	326-315	CLICK PLATE	2
	38	332-757	SHIFT KNOB	1
	39	332-975	HANDLE COVER	1
	40	326-309	CLICK SPRING	1
	41	332-769	SWITCH (W/LOCK)	1
	42		NAME PLATE	1
	43	302-086	TAPPING SCREW (W/FLANGE) D4 X 20 (BLACK)	1
	44	332-756	BUTTON	1
	45	332-770	PRINTED CIRCUIT BOARD	1
	46	332-771	TERMINAL	2
	47	326-316	TERMINAL SUPPORT	1
*	48	326-299	BATTERY EBM 315 (EUROPE, AUS, NZL)	2

STANDARD ACCESSORIES

DB 3DL2

ITEM NO.	CODE NO.	DESCRIPTION	NO. USED	REMARKS
* 501	992-671	+ DRIVER BIT (B) NO. 2 50L	1	
* 501	983-006	+ DRIVER BIT NO. 2 65L	1	FOR CHN, SIN, VIE
502		CHARGER (MODEL UC 3SFL)	1	
503	332-844	CASE	1	

OPTIONAL ACCESSORIES

ITEM NO.	CODE NO.	DESCRIPTION	NO. USED	REMARKS
601	326-665	HOLSTER	1	
602	992-670	+ DRIVER BIT (B) NO. 1 50L	1	
603	992-672	+ DRIVER BIT (B) NO. 3 50L	1	
604	992-675	- DRIVER BIT (B) 4MM X 50	1	
605	992-676	- DRIVER BIT (B) 5MM X 50	1	
606	992-677	- DRIVER BIT (B) 6MM X 50	1	
607	321-823	DRILL CHUCK AND ADAPTER SET	1	INCLUD. 608, 609
608	307-543	CHUCK ADAPTER	1	
609	987-575	CHUCK WRENCH FOR 10VLB-D, 10VLR-D	1	